

BATHROOM MIRRORS


25386 

Please read instructions before commencing installation and retain for future reference.

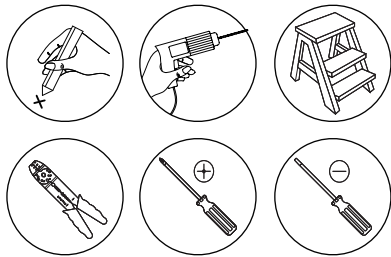
SPECIFICATIONS

- **Lamp Type:** LED | 18W | 3000K, 4000K | CRI 80 | Touch Dimming
- **Material:** Mirror | Aluminium Frame
- **Ingress Protection:** IP44 | Protection against entry of solid objects greater than 12mm in diameter.


INSTALLATION INSTRUCTIONS

 Electrical products can cause death, injury, or property damage. Maintenance and installation should only be carried out by a professional electrician.

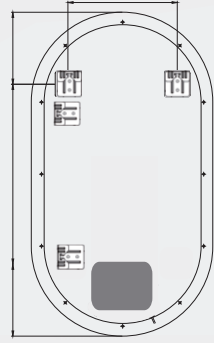
- Ensure the main supply is switched off before connecting to electricity.




WARNING

 Make sure that the products are installed properly before connecting to electricity.
Do not cover the luminaire.
Do not exceed the maximum wattage rating of the lamp.
If the light source is contained in this luminaire (integrated LED), it shall only be replaced by the manufacturer, his service agent, or a similarly qualified person.


Horizontal or Vertical Installation Method

1 

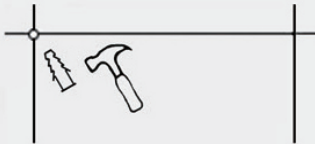
Use tape measure to check the two hooks' distance

2 


Use pencil to draw a flat line on the wall

3 

Use electric drill to make a small hole

4 

Use hammer put the plastic explosive bolt into the small hole

5 

Use screwdriver put the bolt into the wall

6 

Put the led bathroom mirror on the wall

